

GIFT CARD DESIGN GUIDELINES

FRONT OF CARD

Size with bleed: **3 5/8" x 2 3/8"**

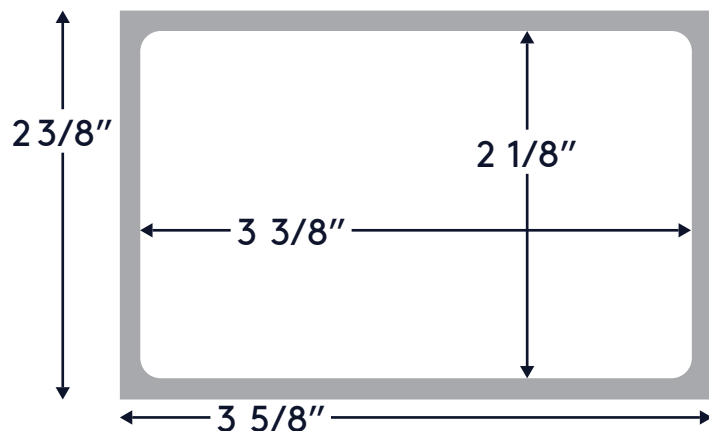
Trim size (final size): **3 3/8" x 2 1/8"**

 Bleed area

 Text and graphics*

**(8-bit CMYK; leave text as text layers or outlined/converted to shapes)*

Note: you can only use the white space for your design.



BACK OF CARD

Size with bleed: **3 5/8" x 2 3/8"**

Trim size (final size): **3 3/8" x 2 1/8"**

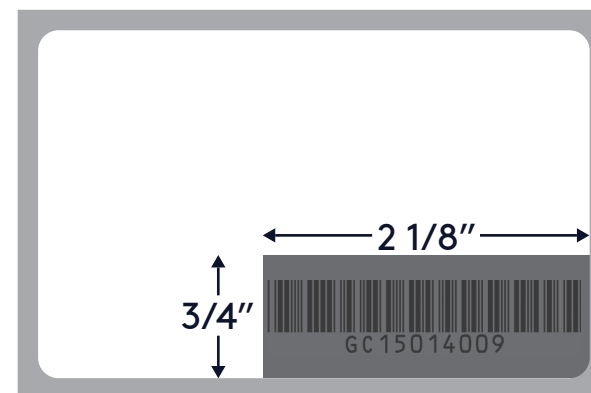
 Bleed area

 Barcode area

 Text and graphics*

**(8-bit grayscale; all text left as text and Black, not K=100)*

Note: you can only use the white space for your design.



Note: leave
2 1/8" x 3/4"
blank for
barcode.

ARTWORK REQUIREMENTS

Send graphics to trevor@bookmanager.com or carley@bookmanager.com

Preferred file formats: .psd, .ai, .eps | Other formats (*final print results may not be as high quality*): .pdf, .jpg, .png, .tif

Colour Mode: CMYK | Resolution: minimum 300dpi (600dpi recommended)

NOTE: Front and back text and shape layers should remain as text/shape layers or outlined/converted to shapes.

